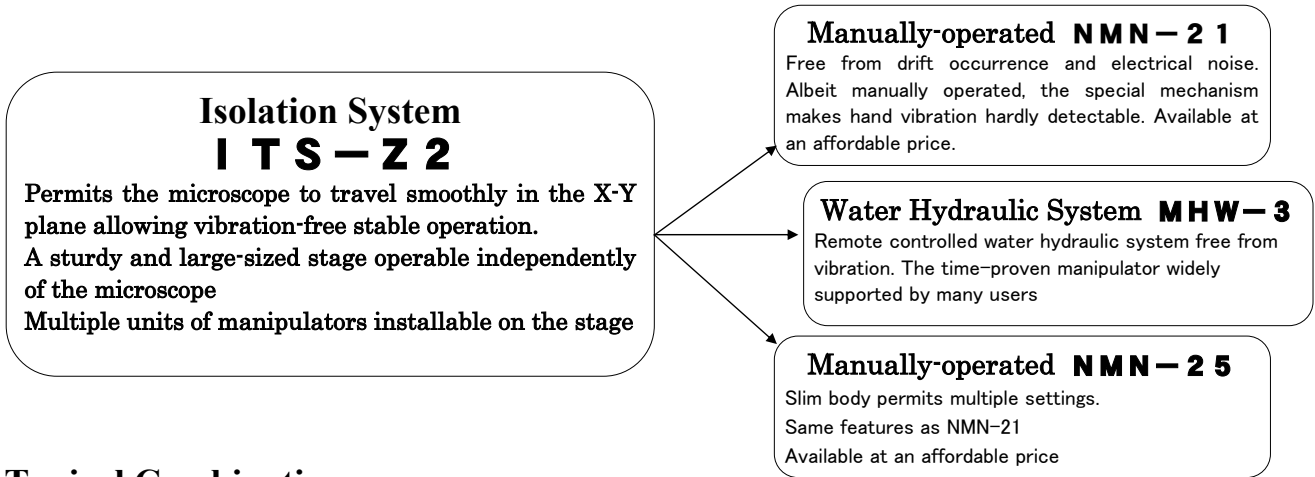


Recommended Models for Brain Slice Patch Clamp Recording For use with Carl Zeiss Axioskop 2FS

There are two types of micromanipulators used for brain slice patch clamp recording to be installed on an isolation system: Water Hydraulic Micromanipulator and Manually-operated Micromanipulator.
Select a combination of micromanipulators best-suited to the intended use.



Typical Combinations

	Example 1	Example 2	Example 3
Isolation System	ITS-Z2	ITS-Z2	ITS-Z2
Micromanipulator for recording	MHW-3	MHW-3	NMN-21/25
Micromanipulator for stimulating	MHW-3	NMN-21/25	NMN-21/25
Patch Clamp Headstage Holder	For connecting to a patch amplifier, use an optionally available patch clamp headstage holder adaptable to each headstage model.		

NMN-25

Manually-operated and drift-free. Special mechanism helps absorb hands shaking into the main body and thus hand vibration is hardly detectable even under high magnification.

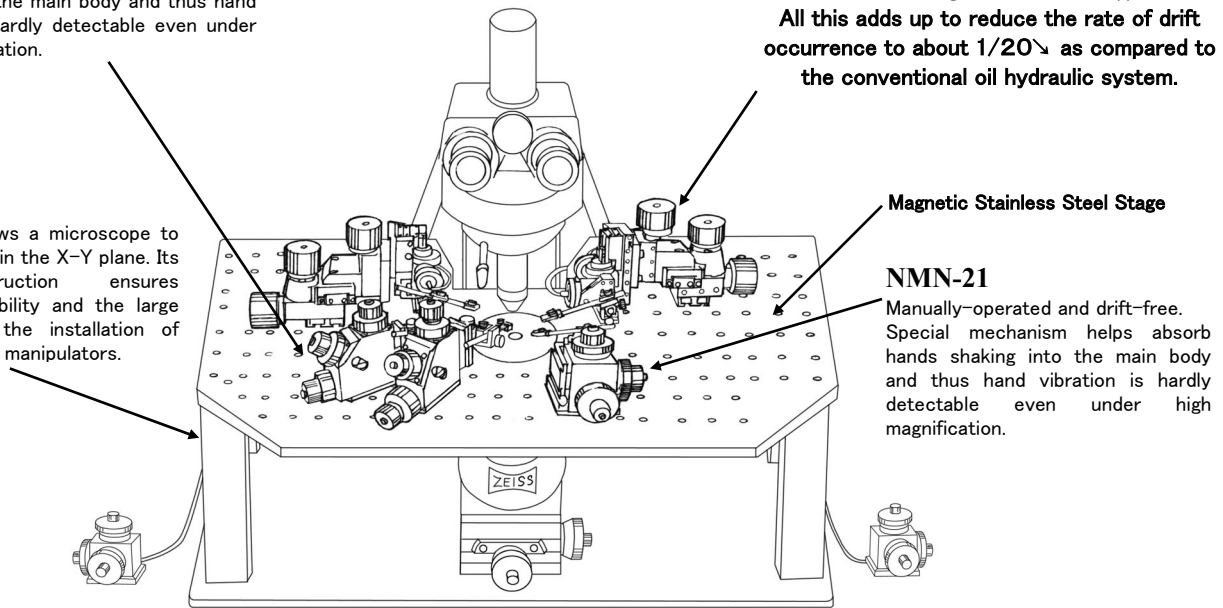
MHW-3

1. Using water in place of oil reduces the expansion factor to approx. 1/4
2. The use of 1:5 cartridges reduces drift to approx. 1/5

All this adds up to reduce the rate of drift occurrence to about 1/20 as compared to the conventional oil hydraulic system.

ITS-Z2

This model allows a microscope to travel smoothly in the X-Y plane. Its solid construction ensures outstanding stability and the large stage permits the installation of multiple units of manipulators.



Magnetic Stainless Steel Stage

NMN-21

Manually-operated and drift-free. Special mechanism helps absorb hands shaking into the main body and thus hand vibration is hardly detectable even under high magnification.