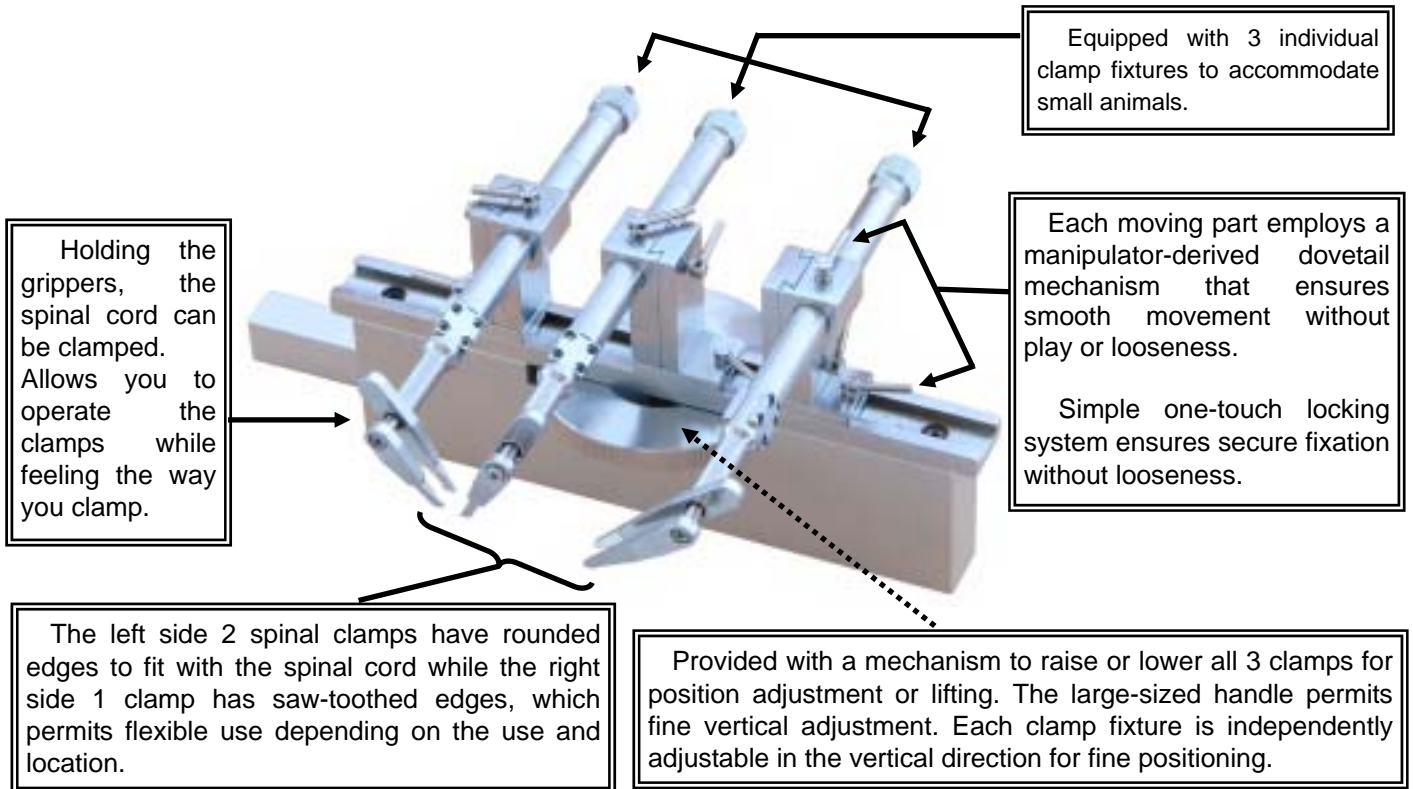


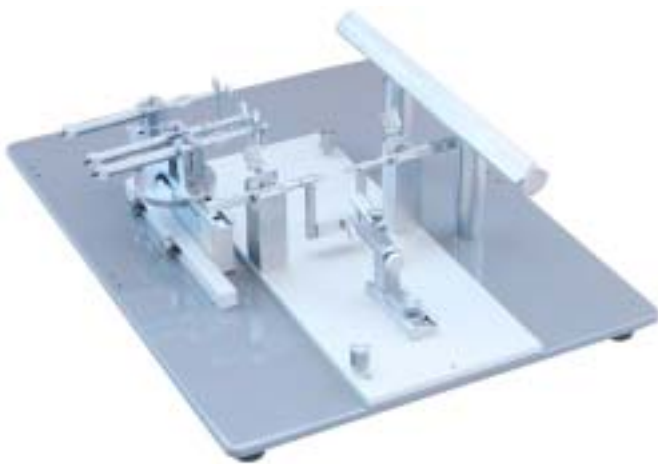
*Are you hesitant about spinal cord experiments on small animals?*

## *Compact Spinal Cord Clamps* **STS-A**

These compact spinal cord clamps are used in conjunction with SR series stereotaxic instruments. To ensure that the fragile spinal cord of a mouse or newborn rat is clamped securely and correctly, this model is designed so that the clamp feeling is communicated to the operator's hand.



***Installable not only on SR-5M/6M, but also on SR-5N/6N you already own***



A combination of SR-5M + STS-A